

SuperNova® NexGen™ Integrated Flange 4" S/T/T LED Lamp

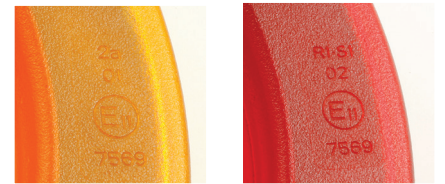
Data Sheet

STOP/TAIL/TURN LIGHTING



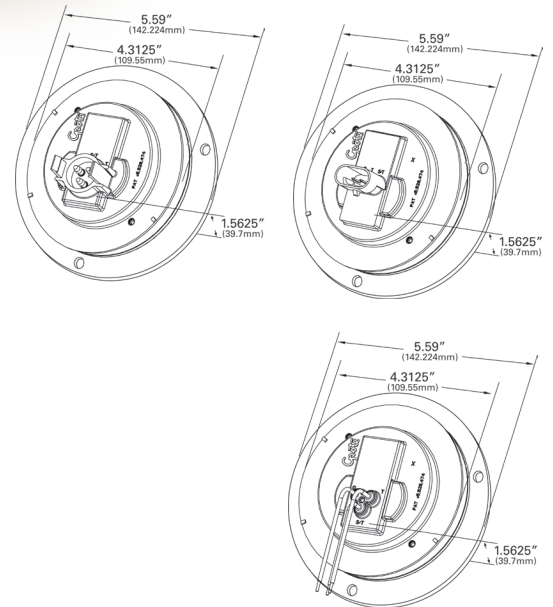
PRODUCT SPECIFICATIONS

MATERIAL: ABS/ACRYLIC
FINISH: RED/WHITE; YELLOW/WHITE
FMVSS: S / T / T-I, S, T
ECE: R6
YELLOW - REG 6, CAT 2A
VOLTAGE AMP: 12V / .24A (I,S) / .03A (T)
PIGTAIL: MALE PIN: 66816, 66845, 67005, 66823, 66830, 66836, 67006
2-PIN MALE PIN: 67013, 66842, 66846, 67016
HARD SHELL: 66861



Flanged lamp requires no need for additional mounting brackets

- Available in Male Pin, Hard Shell or Hardwire terminations
- Environmental encapsulant potting for total circuit board protection
- Hermetic lens-to-housing seal prevents moisture intrusion
- Resembles incandescent light to alleviate theft concerns
- Less current draw than standard incandescent lamps which leads to increased fuel efficiency, leaves more voltage available to other vehicle systems
- Mounting pad included
- Turn lamp can be utilized in the front or rear position on the vehicle
- Meets FMVSS compliance requirements
- As of November 2014 meets ECE compliance requirements



Part Number	Termination	Light Source/Color	Operating Voltage	Amperage	Interchange
54602	MALE PIN	LED/RED	12V	.24A (S) / .03A (T)	NA
54572	HARD SHELL	LED/RED	12V	.24A (S) / .03A (T)	44322R, 44326R, 44328R
54582	HARD WIRE	LED/RED	12V	.24A (S) / .03A (T)	44350R
54633 (2-PIN TURN ONLY)	MALE PIN	LED/YELLOW	12V	.24A (I)	1218A, 44203Y
54573	HARD SHELL	LED/YELLOW	12V	.24A (I)	NA

2600 Lanier Drive, Madison, Indiana U.S.A. 47250-0550

U.S. 800.628.0809 Canada 800.268.5612

Europe +49 9962/20008-0 Mexico 011 (52) 81-8262-4400

grote.com

